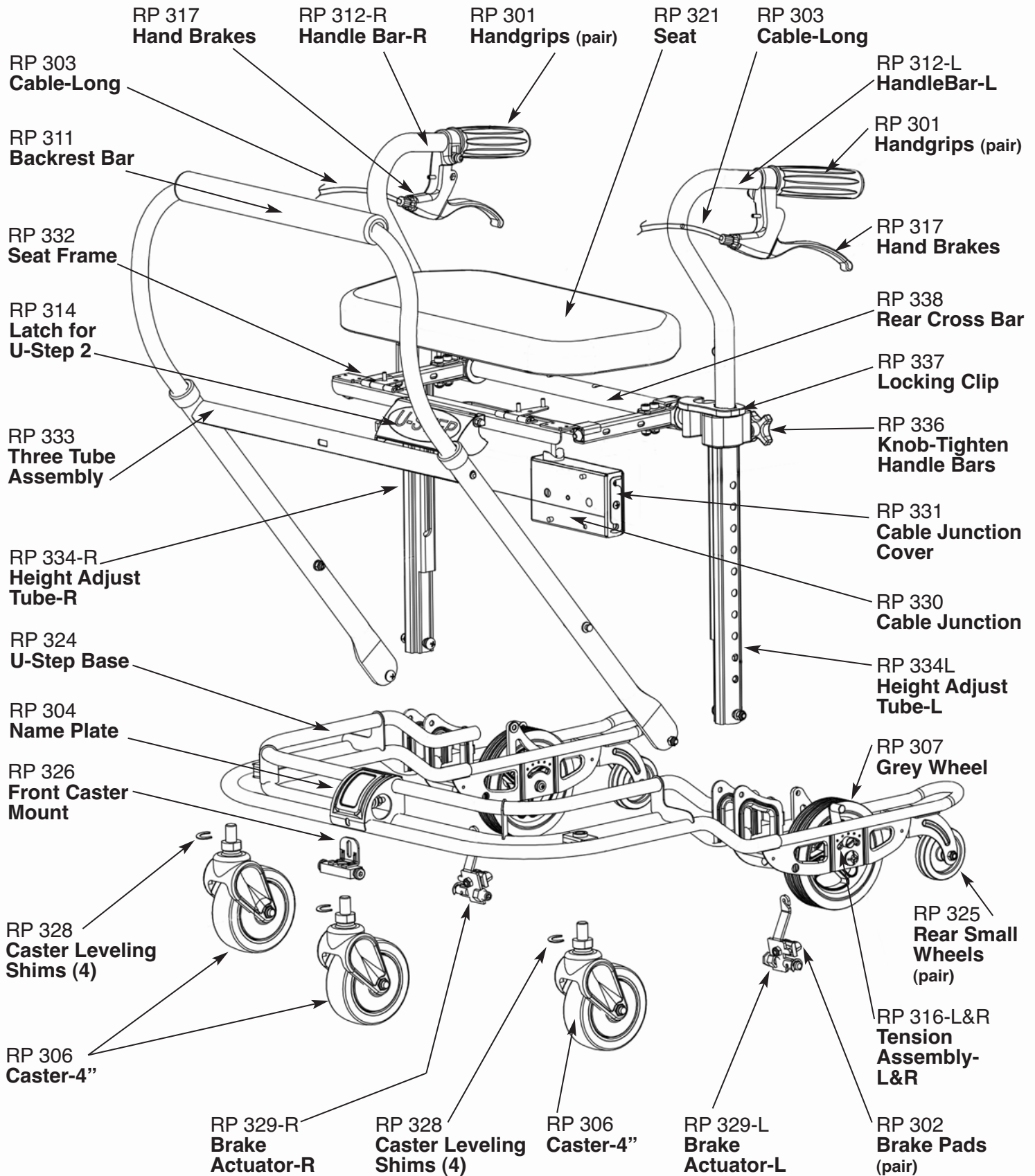


U-Step 2 Parts Diagram - 2016



Replacement Parts for U-Step 2 Serial Numbers U3-----

Part No.	Part Name	Price	Not Shown
RP301	Handgrips (Pair)	\$ 8	
RP302	Brake Pads (Pair)	\$ 10	
RP303	Cable -- Long (Each)	\$ 20	
RP304	Cable -- Short (Each)	\$ 15	*
RP306	Caster (4") (Each)	\$ 10	
RP307	Grey Wheel (Each)	\$ 10	
RP309	Front Cover	\$ 8	
RP311	Backrest Bar	\$ 35	
RP312L	Handle Bar (Left)	\$ 35	
RP312R	Handle Bar (Right)	\$ 35	
RP313T	Cueing Module – Top	\$ 75	*
RP313B	Cueing Module – Bottom	\$ 40	*
RP314	Latch for U-Step 2	\$ 7	
RP315	Latch – Hardware & Spring	\$ 2	*
RP316L	Tension Assembly (Left)	\$ 5	*
RP316R	Tension Assembly (Right)	\$ 5	*
RP317	Hand Brakes	\$ 15	
RP321	Seat for U-Step 2	\$ 35	
RP324	U-Step Base	\$100	
RP325	Rear Small Wheels(Pair)	\$10	
RP326	Front Caster Mount	\$8	
RP327	Front Cas. Spring/Hardware	\$2	*
RP328	Caster leveling shims (4)	\$1	
RP329L	Brake Actuator (Left)	\$8	
RP329R	Brake Actuator (Right)	\$8	
RP330	Cable Junction	\$15	
RP331	Cover – Cable Junction	\$5	
RP332	Seat Frame	\$35	
RP333	Three Tube Assembly	\$30	
RP334L	Height Adjust. Tube (Left)	\$25	
RP334R	Height Adjust. Tube (Right)	\$25	
RP335	Spring Pin – Handle bar	\$1	*
RP336	Knob –Tighten Handle Bars	\$2	
RP337	Locking Clip	\$3	
RP338	Rear Cross Bar	\$25	
RP339	Seat Hinge (Pair)	\$10	*
RP340	Seat Hinge Bushings – (4)	\$8	*